



XC-9607

Network Wall Mount Speaker

SPON IP PoE Wall Mount Speaker XC-9607 is a SIP compliant and multicast-capable PoE network audio device for public address and notification, it supports common network protocols for easy integration with SIP- compatible VOIP system . It is suitable for hotel, company and other indoor public areas that need simple wiring.



MAIN FEATURES

Performance and Encoding

- Employs a high-speed, industrial-grade dual-core (ARM+DSP) chip for superior processing power.
- Features versatile voice encoding with both narrowband (G.711a/u) and broadband (G.722) options for crystal-clear voice paging.



Connectivity & System Integration

- Supports receiving paging from SIP phones through 10 dedicated multicast addresses.
- Incorporates a multicast scalable function, efficiently saving SIP account resources.
- Fully compatible with standard SIP protocols for seamless integration with leading SIP PBX systems like Yeastar, Asterisk, and Cisco.

Audio Management & Network Functionality:

- Facilitates background music, emergency paging, and alarm signals from the SPON management system.
- Features dynamic volume control that automatically adjusts based on ambient noise.
- Offers flexible deployment with PoE or PoE+ interface support.
- Equipped with remote management and online upgrading capabilities for ongoing system optimization.

SPECIFICATION

Power Parameters

Power Supply:	DC 24V/1A, PoE (IEEE802.3af), PoE+ (IEEE802.3at)
Standby Power Consumption:	≤3W
Rated Power Output:	20W(@ DC 24V/1A Powered) 15W (@ PoE Powered) 20W(@PoE+Powered)

Audio Parameters

Audio Codec:	G.711A-Law, G.711μ-Law, G.722
Sensitivity:	88dB±3dB (1W, 1m)
Maximum SPL:	90dB±3dB
S/N (Signal-To-Noise) Ratio:	≥80dB
Audio Sampling & Bit Rate:	8kHz~44.1kHz, 16bit, 8kbps~320kbps
Frequency Response:	100Hz~18kHz

Network Parameters

Network I/F:	10BASE-T/100BASE-TX RJ45
Network Protocol:	SIP (RFC3261),FTP,HTTP,TCP/IP,UDP,ARP,ICMP,IGMP
Configuration Method:	Web Interface Or DevConfig Tool

Mechanical & Environment Properties

Mounting Method:	Wall-Mounted
Installation Environment:	Dry Indoor Locations Only
Operating Temperature:	-20°C~+50°C (-4°F~122°F)
Operating Humidity:	10%~90% RH Non-Condensing
Casing Material:	UL94-V0 Rated ABS Resin (Thickened/Flame Retardant)
Grille Material:	Surface Spraying
Grille Surface Treatment:	Metal Mesh Plate
Color:	Off-White
Product Dimensions:	292×193×151.5mm
Product Weight:	2.4KG
Packaging:	Carton Box
Packed Dimensions:	330×240×200mm
Packed Weight:	3.8KG
Product Warranty:	2 Years Limited

Accessories

1×2-Pin Pluggable Terminal Block Connector (3.81mm Pitch,AWG 26-16)
1×4-Pin Pluggable Terminal Block Connector (3.81mm Pitch, AWG 26-16)
1×Waterproof Joint
1×Quick Installation Guide
1×Quality Certificate&Warranty Card
1×Wall Mounting Bracket

Compliance

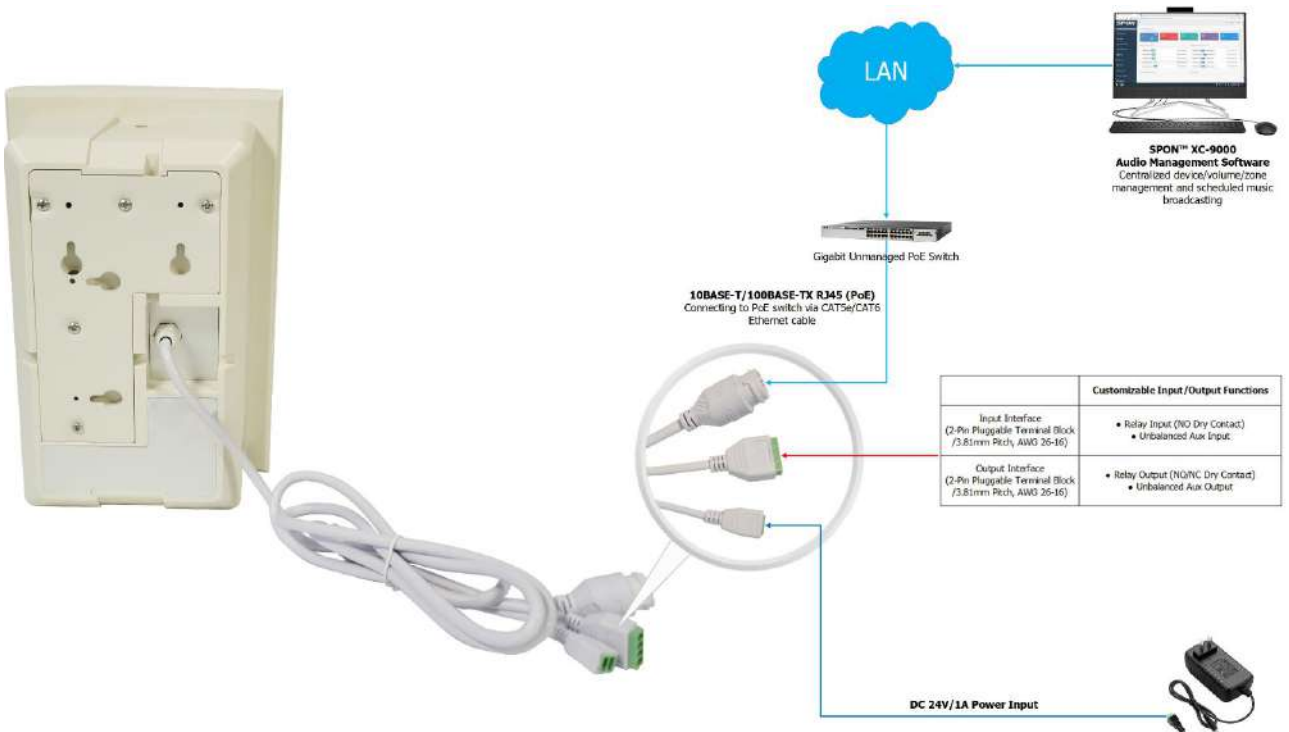
CE (EMC Directive 2014/30/EU)、CE (LVD Directive 2014/35/EU)

I PORTS DESCRIPTION

- ① **Network Port:** To connect with Ethernet switch.
- ② **Reserved Port:** 1,2 Alarm Input , 3,4 Audio Input
- ③ **Power Port:** To connect with power supply.



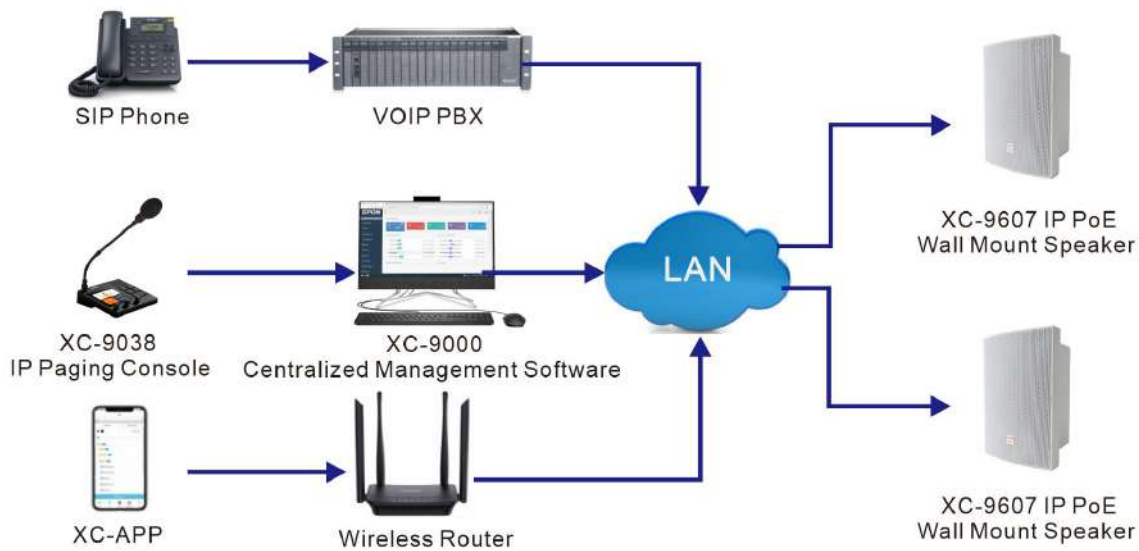
I CONNECTION DIAGRAM



APPLICATION

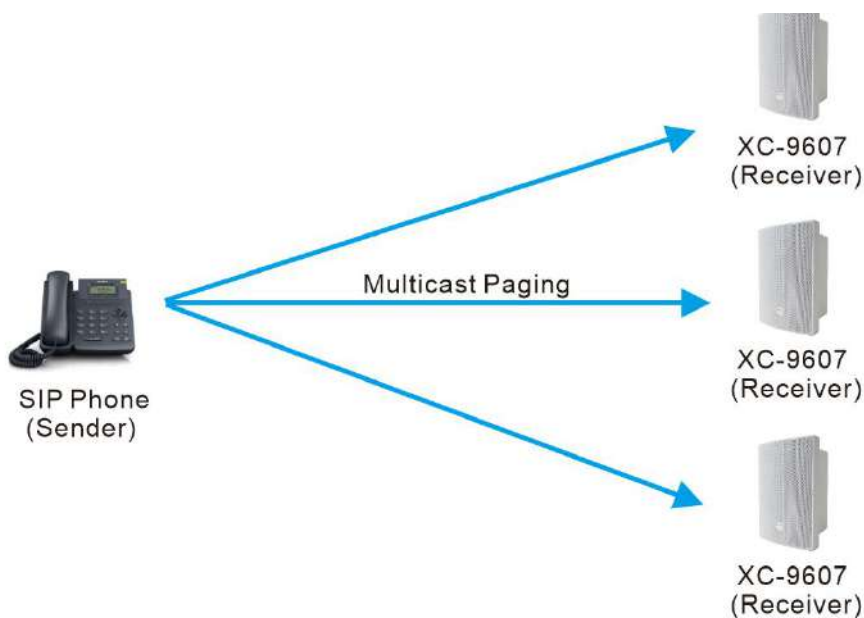
Application 1

IP PoE Wall Mount Speaker XC-9607 support SIP protocol which can be independently used as a sip endpoint to integrated with mainstream VOIP system for receiving sip call from SIP phone or SIP softphone ; Meanwhile , it also can receive broadcast from SPON management software 、 IP Paging Mic and XC-APP .



Application 2

IP PoE Wall Mount Speaker XC-9607 support paging from SIP phone by using multicast address , the multicast address and priority can be set on its webpage .

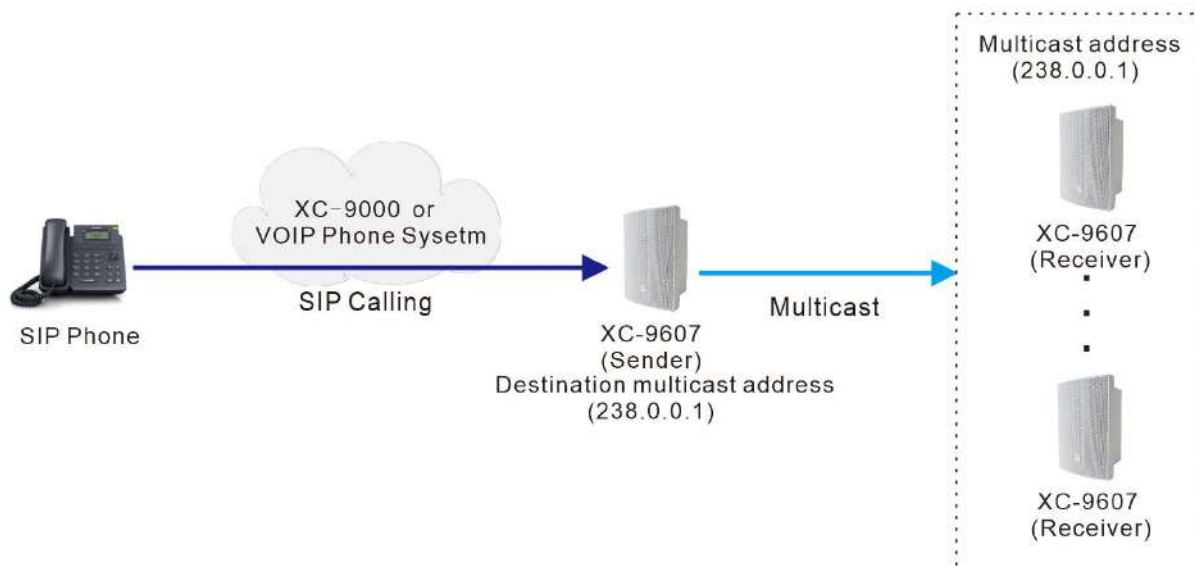


*No SIP registration required for speakers in a multicast

APPLICATION

Application 3

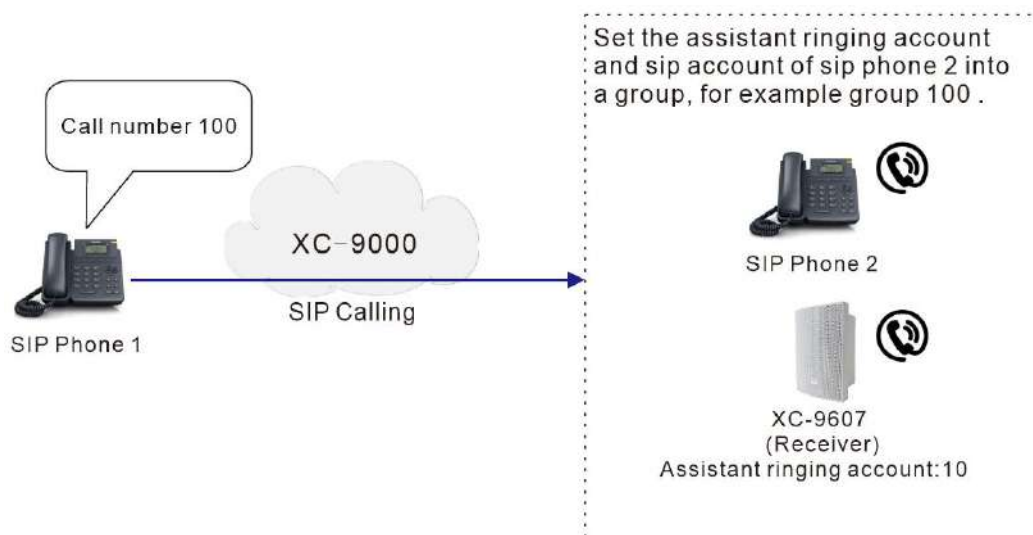
IP PoE Wall Mount Speaker XC-9607 support "Multicast scalable" function ,when SIP phone initiate call to one horn speaker which registered to VOIP system, the other speakers with same multicast address will simultaneously receive the sip calling from the SIP phone.



*Note: The receiver speaker no need to login to VOIP system

Application 4

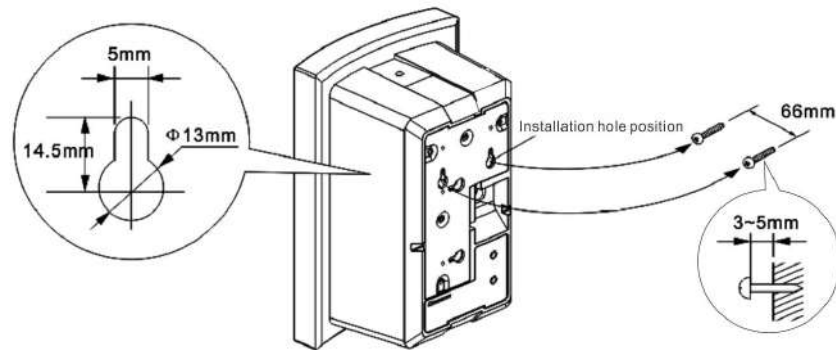
IP PoE Wall Mount Speaker XC-9607 support "Loud ringing extension"function. The assistant ringing SIP account of horn speaker and the SIP phone can be put into a ringing group(set on XC-9000). When calling to group account, all terminals in the same group will ringing. The ringing will be stopped after the call is answered by sip phone.



INSTALLATION

Wall Mounted

Note: the device supports vertical installation and horizontal installation, the distance of installation hole is 77mm when installed horizontally.



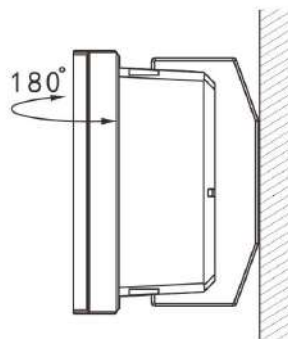
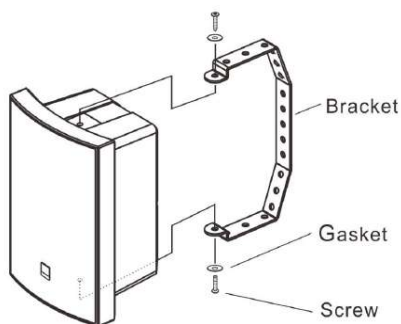
When the speaker and the trademark angle are not consistent, use hand to pull up the trademark, and then rotate it to the appropriate position.



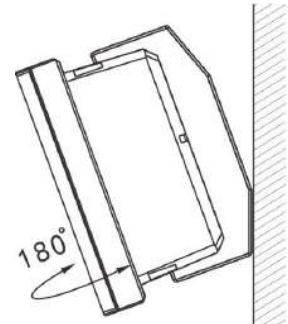
Rack Mounted

Notes: Use bracket is appropriate for horizontal installation. Loosen the standard screw, the speaker can rotate 180 degree, tighten the standard screw when rotate it to the appropriate position in order to reach the best effect of the speaker.

Notes: when installation, please be sure to ensure the intensity of the mounting surface, and it cannot be installed directly in the gypsum board and other intensity insufficient on the wall, please fully reinforce the installation position when forced. (in addition, the packing list of this device does not include screws installed in the wall. Please prepare relative screws refer to the size of the mounting hole)



Indoor installation method



Outdoor installation method (also for indoor)

CASE

